



motorcycle battery wet preloaded

YTZ10-S 12V 8,6Ah; 190A (EN)



The Q-Batteries motorcycle YT series with AGM (Absorbent Glass Mat) technology is wet or dry pre-charged. The batteries convince with a good charging acceptance and vibration resistant performance.

Application:

motorcycles, lawn mowers, jet skies

Features:

- maintenance free
- vibration resistant
- AGM technology (Absorbent Glass Mat)

Specification:

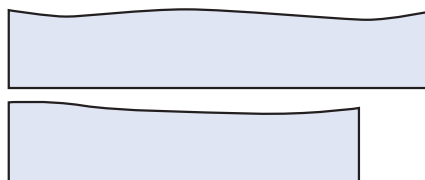
Voltage:	12V
Capacity:	8,6Ah
CCA (Cold Cranking Amps):	190A (EN)
Weight:	3,1 kg +/- 3%
Terminal:	Y5
Circuit:	1 (positive pole left)
Hold down:	B00

Dimensions:

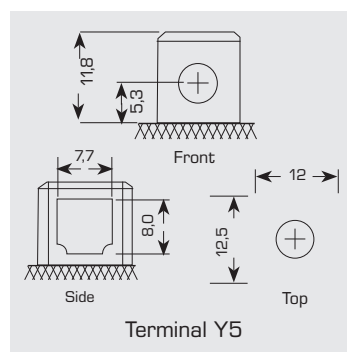
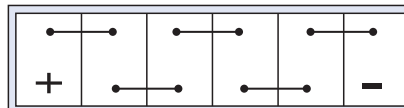
150mm Length x 87mm Width x 93mm Height



Base hold down B00



Layout 1



Liability is excluded for all printing errors and omissions.
Subject to errors and prior sale. Illustration similar.
07/2017